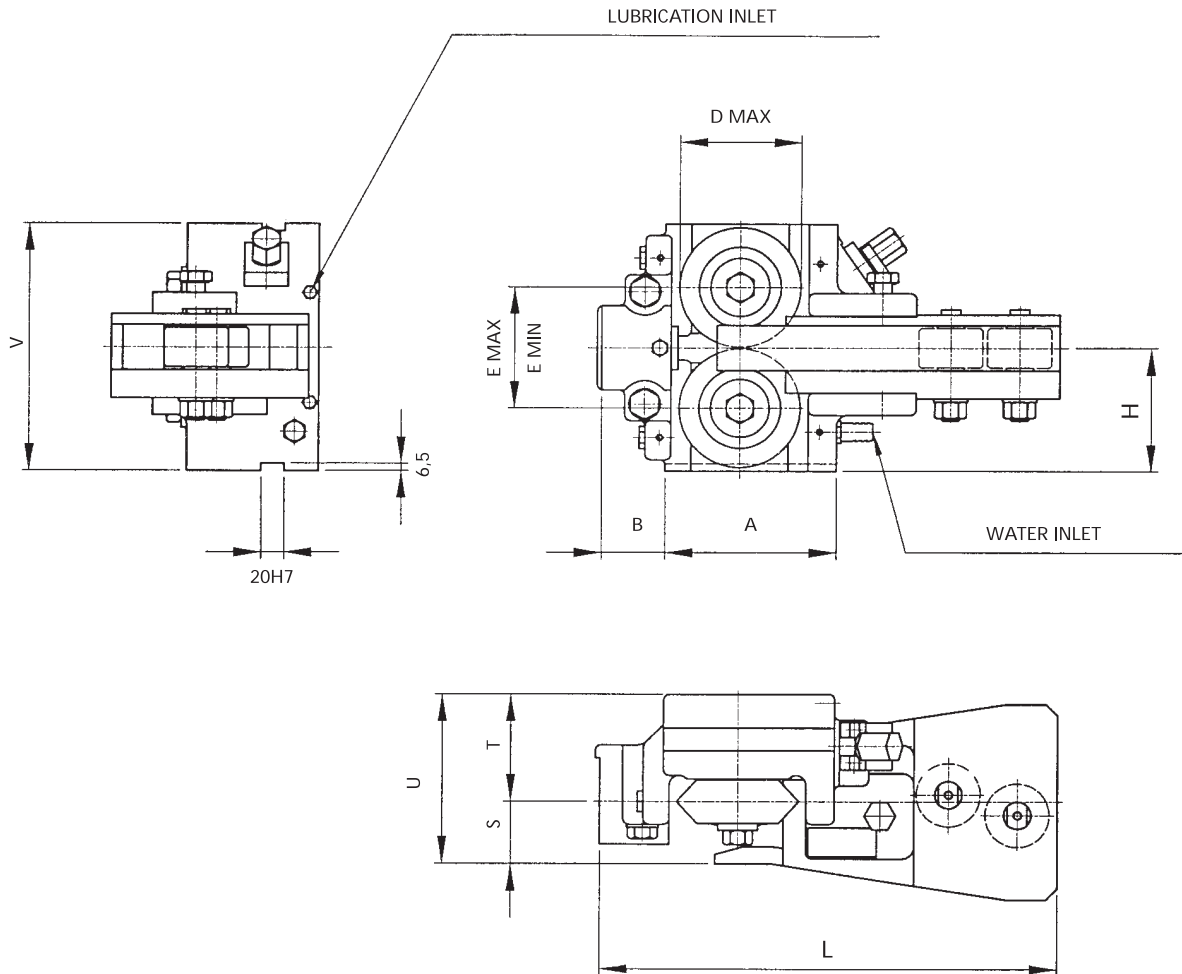


DELIVERY ROLLER GUIDE FOR SLIT ROLLING "CTD"

| TYPE OF GUIDE | CTD-01-RS | CTD-02-RS |
|------------------|-----------|-----------|
| Max slit section | 2 x 20 mm | 2 x 32 mm |
| | | 3 x 20 mm |

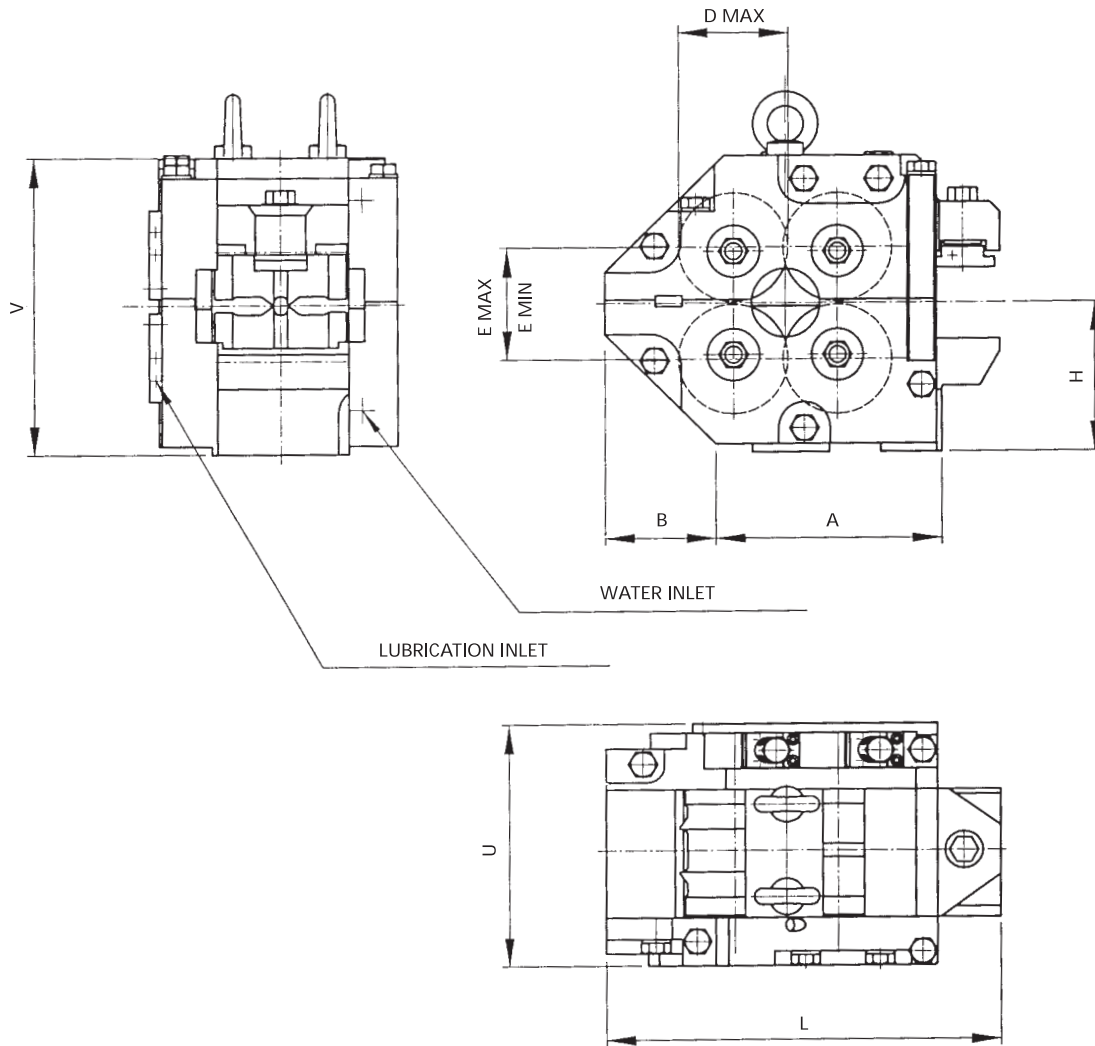


MAIN DIMENSIONS

| TYPE OF GUIDE | CTD-01-RS | CTD-02-RS |
|---------------|-----------|-----------|
| A | 150 | 200 |
| B | 55 | 62 |
| D max | Ø106 | Ø164 |
| E max | 107 | 164 |
| E min | 88 | 141 |
| H | 110 | 140 |
| L | 400 | 428 |
| S | 55 | 70 |
| T | 95 | 122 |
| U | 150 | 192 |
| V | 220 | 280 |

DELIVERY ROLLER GUIDE FOR SLIT ROLLING "MSL"

| TYPE OF GUIDE | MSL23 | MSL4 | MSL45 |
|------------------|-----------|-----------|-----------|
| Max slit section | 2 x 20 mm | 2 x 20 mm | 2 x 20 mm |
| | 3 x 12 mm | 3 x 14 mm | 3 x 14 mm |
| | | 4 x 14 mm | 4 x 14 mm |



MAIN DIMENSIONS

| TYPE OF GUIDE | MSL23 | MSL4 | MSL45 |
|---------------|-------|-------|-------|
| A | 338 | 275 | 217 |
| B | 52 | 80 | 105 |
| D max | Ø 105 | Ø 105 | Ø 105 |
| E max | 107,5 | 107,5 | 107,5 |
| E min | 89,5 | 89,5 | 91,5 |
| H | 120 | 135 | 143 |
| L | 390 | 395 | 377 |
| U | 165 | 210 | 236 |
| V | 250 | 304,5 | 286 |