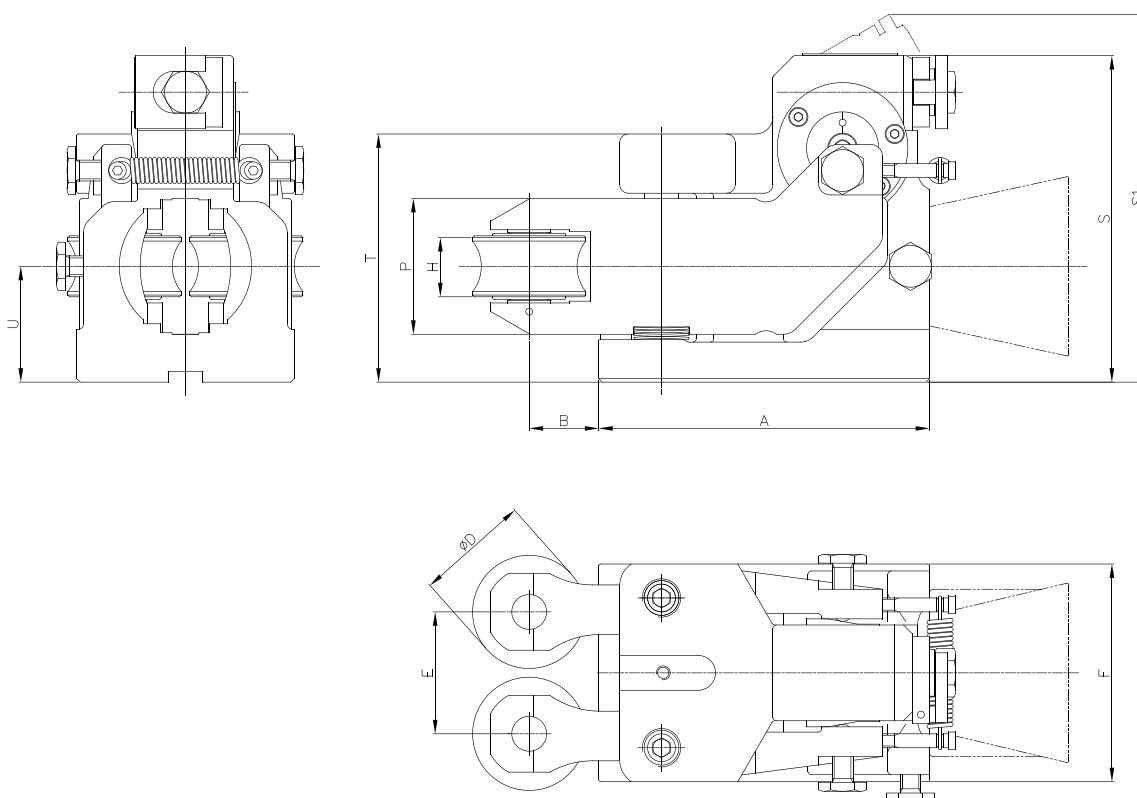


1000-series Roller Guide Type SR

Roller guide	SR1	SR2	SR4	SR6	SR7	SR9	SR12
Finishing Size	Ø 6-14	Ø 8-23	Ø 22-45	Ø 35-60	Ø 40-75	Ø 65-90	Ø 80-120
Maximum oval	26x14	42x18	66x40	90x55	115x67	162x85	190x110



Roller guide	SR1	SR2	SR4	SR6	SR7	SR9	SR12
A	175	190	220	267	295	363	449
B	25	40	49	57	64	85	143
D max	60	65	80	100	110	150	200
E max	62	70	98	125	140	190	240
E min	46	56	66	85	95	130	180
F	108	125	168	202	230	295	365
H	24,4	35	65	90	110	150	170
P	61,5	78	125	164	200	280	334
S	143,5	187,5	246	-	355	415	492
S1	-	211	270	362	400	460	548
T	108	142	201	240	283	352	400
U	49	66,5	95	118	140	172	195

Dimension S1 as alternative or standard depending on size.

All dimensions are in mm