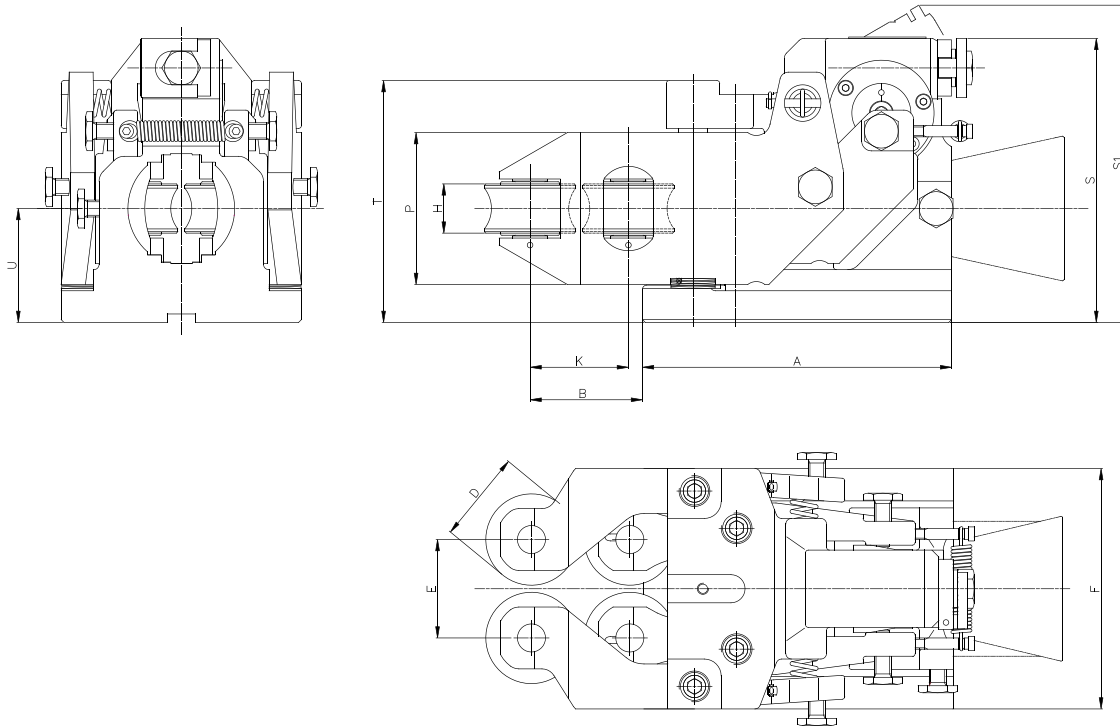


1000-series Roller Guide Type DR

Roller guide	DR1N	DR2	DR4	DR6	DR7	DR9
Finishing Size	Ø 6-12	Ø 8-23	Ø 22-45	Ø 35-60	Ø 40-75	Ø 65-90
Maximum oval	21x10	42x18	66x40	90x55	115x67	162x85



Roller guide	DR1N	DR2	DR4	DR6	DR7	DR9
A	195	220	280	324	356	443
B	63	80	79	115	133	185
D max	53	65	80	100	110	150
E max	55	70	98	125	140	190
E min	48	56	66	85	95	130
F	125	171	220	275	300	460
H	24,4	35	65	90	110	150
K	58	70	90	115	130	180
P	88	108	160	206	246	350
S	161	202	263	-	382	469,5
S1	-	226	286	383	427	515
T	138	172	231	282	339	462
U	66,5	81	112	139	167	227

Dimension S1 as alternative or standard depending on size.

All dimensions are in mm